

iSC GmbH
Customer Service
Eschenstraße 6
94405 Landau/Isar

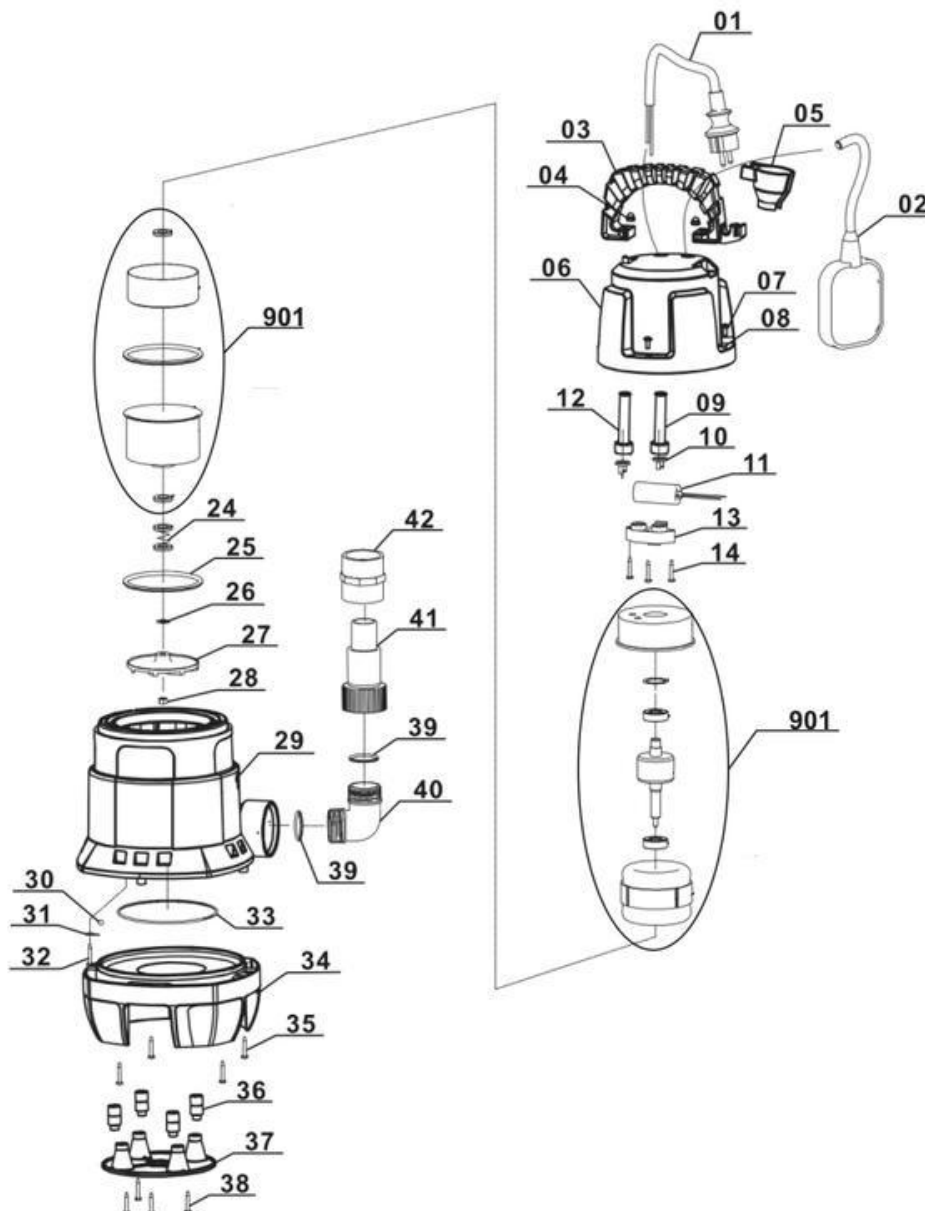
Telephone:
Email:

+49 9951 959 2019
service-de@einhell.com



Dirt Water Pump
GC-DP 7835

Article number: 4170682
Ident number: 11035



Spare parts

Pos	Art.	Ident number	Product Name
001	417068203001	00000	power cord with plug (10m)
002	417068201002	00000	float switch (Einhell Red)
003	417068001003	00000	handle
004	417068001004	00000	nut M5
005	417068001005	00000	power cable clamp
006	417068201006	00000	pump rear cover (black)
007	417068001007	00000	self-tapping screw
008	417068001008	00000	washer 4
009	417068001009	00000	cable sheath
010	417068001010	00000	cord clip
011	417068201011	00000	capacitance 16-F
012	417068001012	00000	cable sheath
013	417068001013	00000	cable press block
014	417068001014	00000	self-tapping screw
024	417068001024	00000	mechanical seal
025	417068001025	00000	O-ring
026	417068001026	00000	adjusted washer
027	417068201027	00000	impeller
028	417068001028	00000	nut M8
029	417068201029	00000	main pump housing (Einhell Red)
030	417068001030	00000	steel ball 6
031	417068001031	00000	washer
032	417068001032	00000	self-tapping screw ST2.9x8.5
033	417068001033	00000	O-ring
034	417068001034	00000	base
035	417068001035	00000	self-tapping screw
036	417068001036	00000	bush
037	417068001037	00000	baseplate
038	417068001038	00000	self-tapping screw ST4.2x32
039	417068001039	00000	O-ring
040	417068001040	00000	90GRD angle bracket
041	417068001041	00000	output connector
042	417068001042	00000	shifting connector
800	417068001043	00000	circlip
801	417068001044	00000	terminal
901	417068202901	00010	motor cpl. (Alu)

motor cpl. (Alu)

Article number: 417068202901
Ident number: 00010

Spare parts

Pos	Art.	Ident number	Product Name
015	417068001015	00000	rear cover
016	417068001016	00000	wave washer
017	417068001017	00000	bearing 6201-2Z
018	417068202018	00000	Rotor (Alu)
019	417068001019	00000	stator
020	417068001020	00000	oil seal
021	417068001021	00000	front bush
022	417068001022	00000	O-ring
023	417068001023	00000	front cover